



TENNECO
POWERTRAIN

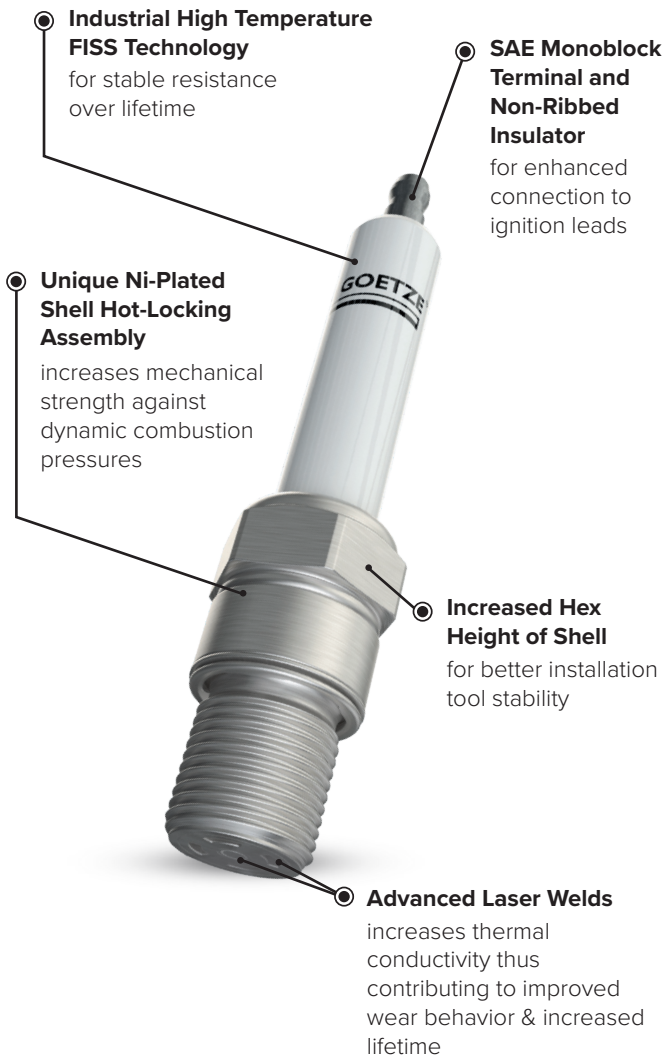


G-6004 Industrial Spark Plug

Our plug is designed for virtually maintenance-free operation, with lifetime runs of over 2,000* hours in Jenbacher type 6 engines. Ideal for high BMEP Jenbacher type 6 and type 9 engines fueled by Natural Gas, Biogas and Landfill Gas where the end user is looking for a suitable and capable OE replacement spare part. Our improved shell and insulator design provides added robustness against mechanical damage.

* Lifetime depends on operating conditions including, but not limited to: fuel, duty cycle/load, ignition system, and environmental conditions.

G-6004



Lifetime*

2,000 h

5,000 h

Electrode Gap, nom.

0.2 mm

0.3 mm

0.5 mm

Sup. Resistor

2 k Ω

3 - 12 k Ω

16 k Ω

* Lifetime depends on operating conditions including, but not limited to: fuel, duty cycle/load, ignition system, and environmental conditions.

Federal-Mogul Ignition GmbH

Bürgermeister-Schmidt-Str. 17

51399 Burscheid, Germany

www.goetze-ignition.com

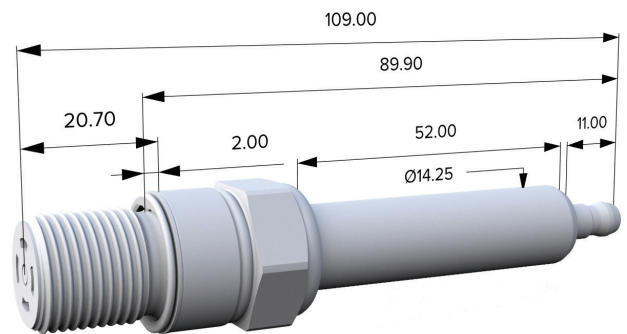
© 2020 Tenneco Inc. All rights reserved. All trademarks are owned by Tenneco Inc. or one of its subsidiaries, in one or more countries.

G-6004 Rev. 06/2020

Basic Technical Data

Properties	G-6004
Suppressor Resistor	3 - 12 k Ω
Hex	22.2 mm (7/8 in)
Thread	M18 x 1.5
Thread length	20.7 mm (13/16 in)
Precious metals	Iridium/Iridium
Electrode gap	nom 0.3 mm (0.012 in)
Tightening torque (cast iron)	50-60 Nm (37-44 lbf ft) w/o lubricant
Lifetime*	~2,000 hours

Dimensions



Target Applications

- Industrial stationary engines
- Power generation/CHP
- Open chamber combustion engines
- Heavy-duty start/stop operation
- Natural Gas
- Biogas
- Landfill Gas

Engines

- Innio Jenbacher Type 6 / Type 9

Cross References

- Innio Jenbacher: P611, Denso 518, P603
- Federal-Mogul: FV76WWCC (18GZ45)